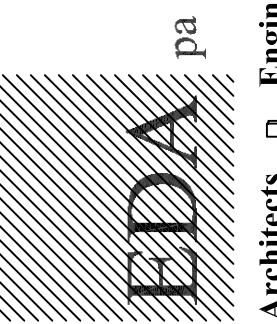


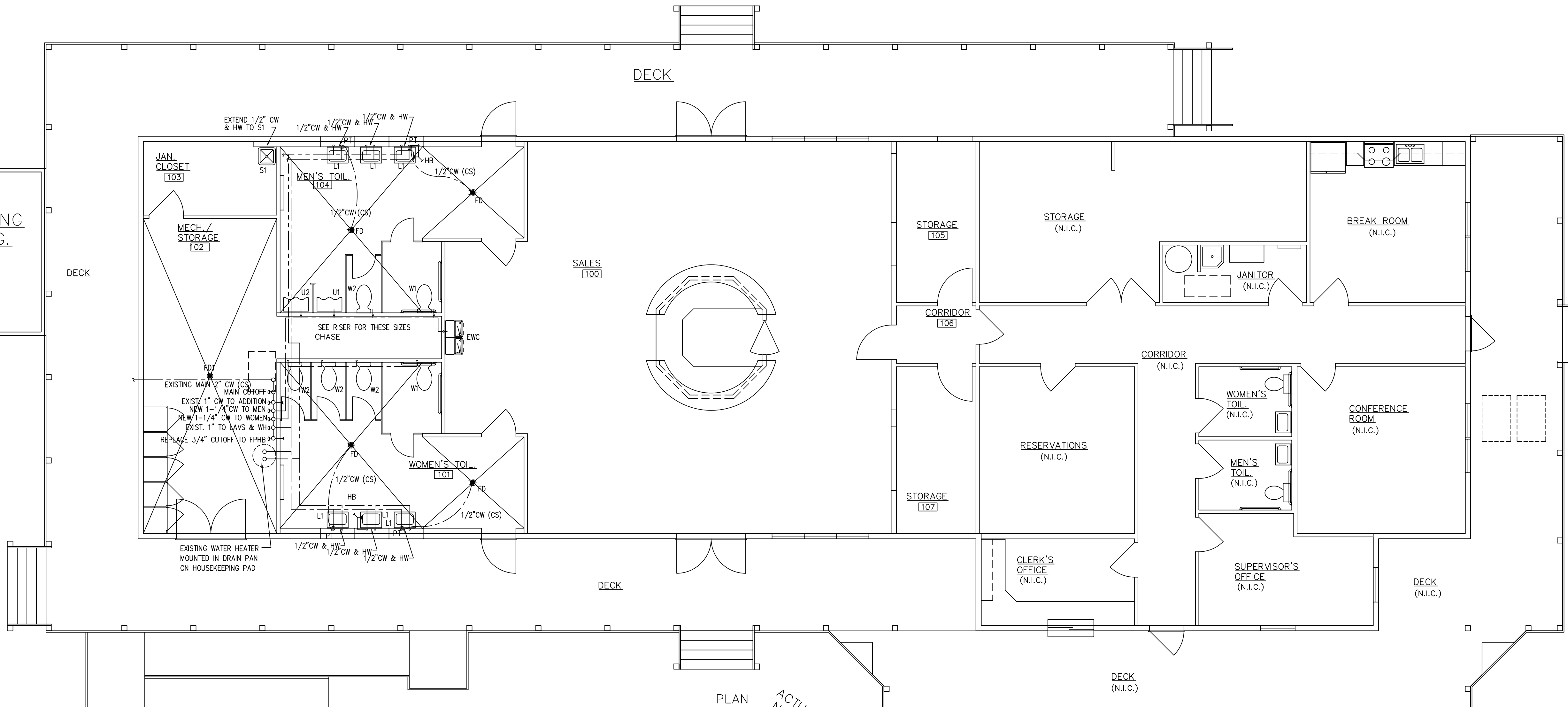
EDA
 ARCHITECTS & PLANNERS
 SOUTHEASTERN ENGINEERING ASSOCIATES, P.A.
 3717 NATIONAL DRIVE, SUITE 203
 RALEIGH, NC 27612
 TEL: 919-781-2860 FAX: 919-781-3090
 E-MAIL: eda@edaplanning.com

1007 Shepard Street
 Morehead City, North Carolina 28557
 Telephone: 252.247.2127 Fax: 252.247.0674
 Email: eda@edaplanning.com

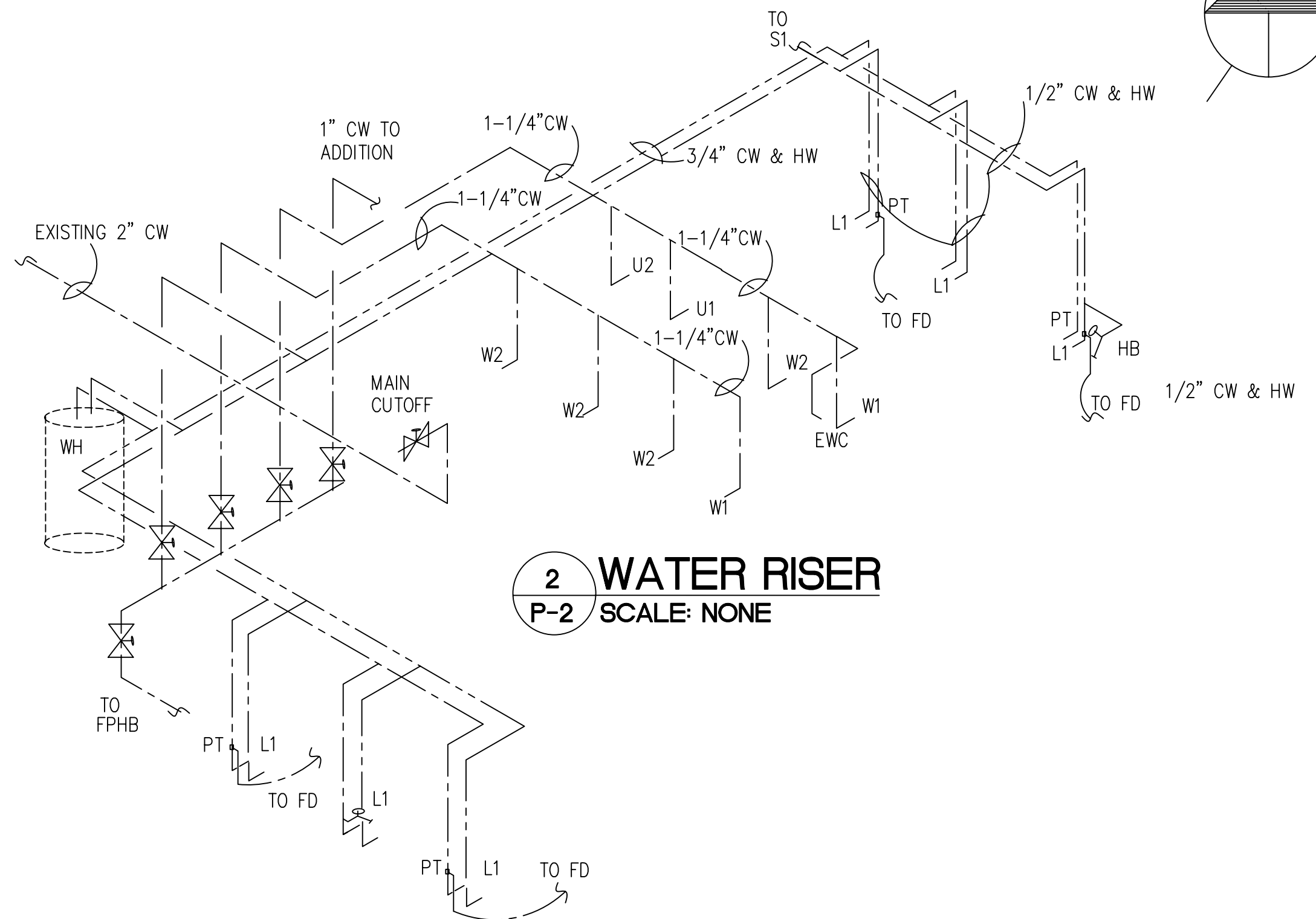
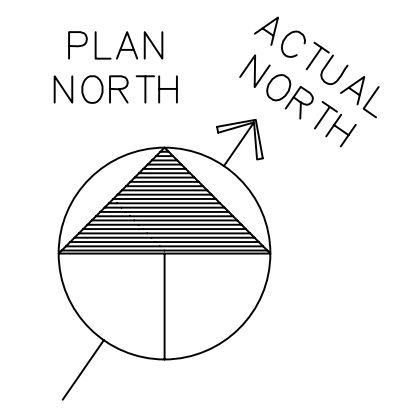


**CEDAR ISLAND FERRY
 OFFICE RENOVATION
 CEDAR ISLAND, NORTH CAROLINA**

08-046
 2007412
 ISSUED: 08-12-08
 DWG BY: MLR
 CKD BY: RMB,LDD
 REVISIONS
 SHEET NO.
P-2
 OF 3



1 FLOOR PLAN - WATER
 P-2 SCALE: 3/16" = 1'-0"



2 WATER RISER
 P-2 SCALE: NONE