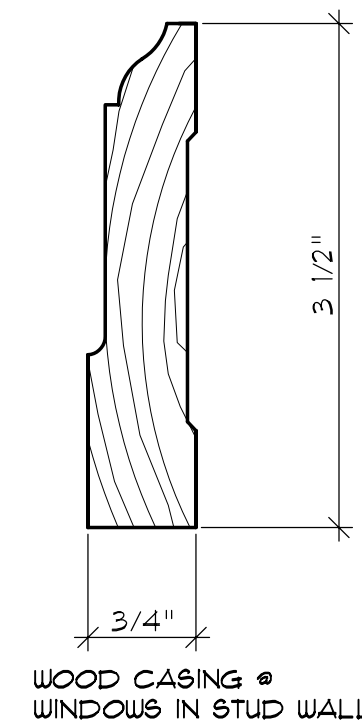


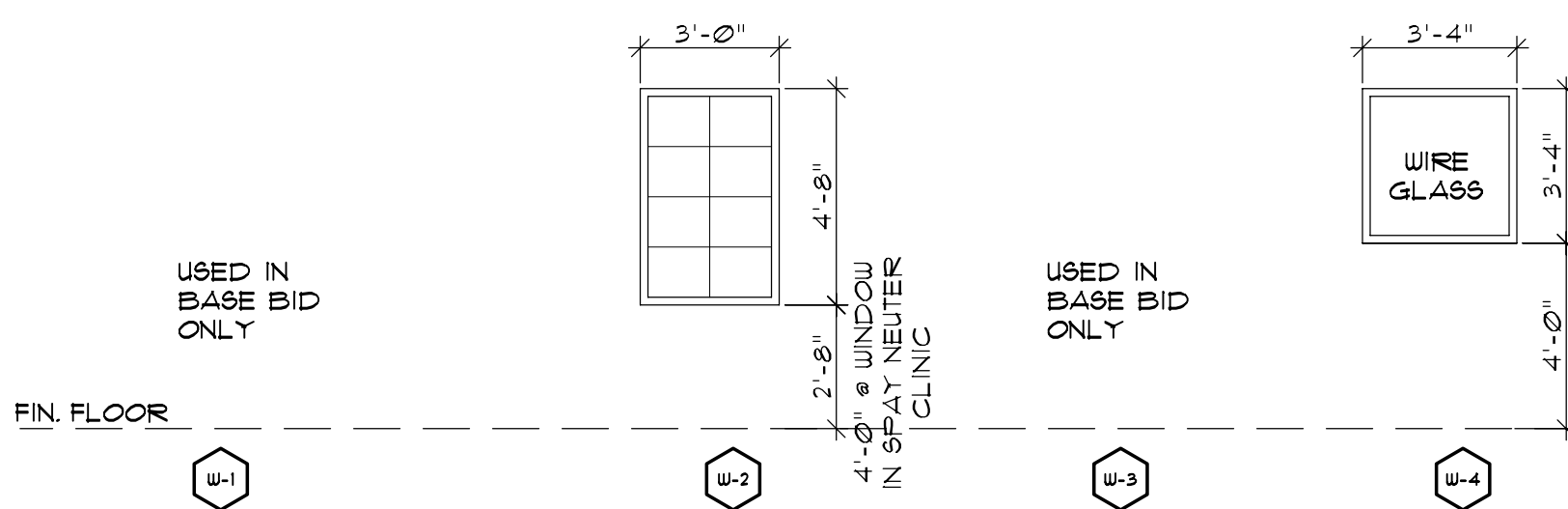
ROOM FINISH SCHEDULE							
NUMBERS	ROOM	FLOORS	BASE	WALLS	CEILING	HGT.	REMARKS
120	UTILITY/MECHANICAL	SEALED CONC.	---	CMU-PTD/GUB-PTD	GUB-PTD	11'-1" AFF.	(4)
121	STORAGE	CONC.	---	---	---	---	(1) (3) (9)
122	TRAINING	CONC.	---	---	5/8" AQUA-TOUGH-PTD	---	(1) (3) (9)
123	DOG KENNEL	---	---	CMU-PTD	---	---	(1) (3) (9)
124	CORRIDOR	---	---	---	---	---	(2) (3) (9)
125	CAT KENNEL	---	---	---	---	---	(4)
126	FILE/COPY	VCT	VINYL	---	GUB-PTD	---	(4)
127	BONDING ROOM	CONC.	---	---	5/8" AQUA-TOUGH-PTD	---	(1) (3)
127.1	PUPPY VIEWING	---	---	---	MR SAT	8'-8" +/- AFF.	(1) (3)
128	ADOPT. WAITING	VCT	VINYL	CMU-PTD/GUB-PTD	MR SAT	10'-0" AFF.	(4)
129	ADOPT. RECEPT.	---	---	---	---	---	(4) (6)
130	TOILET LOBBY	---	---	GUB-PTD	---	9'-0" AFF.	(4) (6)
131	MEN'S TOILET	SHEET VINYL	---	CMU-PTD/GUB-PTD	MR SAT	---	(4) (6)
132	WOMEN'S TOILET	SHEET VINYL	---	---	---	---	(4) (6)
133	DROP-OFF RECEPT.	VCT	---	---	SAT	10'-0" AFF.	(4) (6)
134	DROP-OFF	---	---	---	---	---	(4) (6)
135	CORRIDOR	---	---	---	---	---	(4) (6)
136	DIRECTOR'S OFFICE	---	---	---	---	---	(4) (6)
137	BREAK/WORK STATIONS	---	---	---	---	---	(4) (6)
138	SALLYPORT/SERVICE AREA	SEALED CONC.	---	CMU-PTD	CEMENTITIOUS PANEL-PTD. ON 3 LAYERS GUB TYPE X	11'-1" AFF.	(2) (3)
138.1	EUTHANASIA	---	---	---	CEMENTITIOUS PANEL-PTD. ON 3 LAYERS GUB TYPE X	---	(2) (3)
139	LOBBY	CONC.	---	CMU-PTD/GUB-PTD	5/8" AQUA-TOUGH-PTD	---	(2) (3)
140	CAT ROOM	---	---	---	---	---	(2) (3)
141	DOG ROOM	---	---	---	---	---	(2) (3)
142	CORRIDOR	---	---	---	---	---	(2) (3)
143	SURGERY	---	---	---	---	---	(2) (3)
144	PREP. AREA	---	---	---	---	---	(2) (3)
145	TOILET	---	---	---	---	---	(2) (3)

- AFF. - ABOVE FINISH FLOOR  
 CONC. - CONCRETE  
 GUB - GYPSUM WALL BOARD  
 PTD - PAINTED  
 VCT - VINYL COMPOSITE TILE  
 MR SAT - MILDEW RESISTANT SUSPENDED ACOUSTICAL TILE  
 SAT - SUSPENDED ACOUSTICAL TILE
- (1) EPOXY PAINT TO 4'-0" COURSE AFF/ ALKYD ENAMEL TO TOP OF MASONRY  
 (2) EPOXY PAINT FLOOR TO CEILING  
 (3) EPOXY COATING \* CONCRETE SLAB  
 (4) ALKYD ENAMEL FLOOR TO CEILING  
 (5) USG FIBEROCK BRAND AQUA-TOUGH \* CEILING IF ALT. #1 TO BE COMPLETED.  
 (6) ACOUSTICAL INSULATION IN INTERIOR WALLS



4 WOOD TRIM DETAIL  
A-11 N.T.S.

WINDOW SCHEDULE				
MARK	TYPE	SIZE	MODEL	REMARKS
W-1	USED IN BASE BID ONLY	-	-	-
W-2	KAWNEER ALUMINUM STOREFRONT	3'-0" X 4'-8"	TRIFAB II 451	W/ APPLIED GRID
W-3	USED IN BASE BID ONLY	-	-	-
W-4	GALVANIZED HOLLOW METAL	3'-4" X 3'-4"	-	W/ WIRE GLASS
W-5	KAWNEER ALUMINUM STOREFRONT	5'-10" X 4'-8"	TRIFAB II 451	W/ APPLIED GRID
W-6	KAWNEER ALUMINUM STOREFRONT	5'-0" X 4'-8"	TRIFAB II 451	W/ APPLIED GRID



3 WINDOW ELEVATION  
A-11 SCALE: 1/4" = 1'-0"

DOOR SCHEDULE						
DOOR NO.	SIZE	DOOR		FRAME		REMARKS
		MAT.	TYPE	MAT.	TYPE	
105A	3'-0" x 7'-0"	FG	B	FG	B	(1)
108A	3'-0" x 7'-0"	FG	B	FG	B	(1)
120A	(2) 3'-0" x 7'-0"	FG	B	FG	B	(1)
121A	(2) 3'-0" x 7'-0"	FG	B	FG	B	(1)
123A	3'-0" x 7'-0"	FG	B	FG	B	(1)
123B	3'-0" x 7'-0"	FG	B	FG	B	(1)
123C	3'-0" x 7'-0"	FG	B	FG	B	(1)
124A	3'-0" x 7'-0"	FG	B	FG	B	(1)
125A	3'-0" x 7'-0"	FG	B	FG	B	(1)
126A	3'-0" x 7'-0"	SCW	D	HM	B	(1)
127A	3'-0" x 7'-0"	SCW	D	HM	B	(1)
127.1A	3'-0" x 7'-0"	FG	B	FG	B	(1)
128A	3'-0" x 7'-0"	ALUM.	A	ALUM.	B	(1)
128B	3'-0" x 7'-0"	ALUM.	A	ALUM.	B	(1)
129A	3'-0" x 7'-0"	SCW	D	HM	B	(1)
130A	3'-0" x 7'-0"	SCW	D	HM	B	(1)
130B	3'-0" x 7'-0"	SCW	D	HM	B	(1)
131A	3'-0" x 7'-0"	SCW	D	HM	B	(1)
132A	3'-0" x 7'-0"	SCW	D	HM	B	(1)
134A	3'-0" x 7'-0"	ALUM.	A	ALUM.	B	(1)
134B	3'-0" x 7'-0"	SCW	D	HM	B	(1)
135A	3'-0" x 7'-0"	ALUM.	A	ALUM.	B	(1)
136A	3'-0" x 7'-0"	SCW	D	HM	B	(1)
138A	3'-0" x 7'-0"	FG	C	FG	B	(1)
138B	10'-0" x 10'-0"	ALUM.	F	-	-	(1)
138C	3'-0" x 7'-0"	FG	B	FG	B	(1)
138D	3'-0" x 7'-0"	FG	B	FG	B	(1)
138E	10'-0" x 10'-0"	ALUM.	F	-	-	(1)
138F	10'-0" x 10'-0"	ALUM.	F	-	-	(1)
138.1 A	3'-0" x 7'-0"	FG	B	FG	B	(1) (2)
139A	3'-0" x 7'-0"	ALUM.	A	ALUM.	B	(1)
140A	(2) 1'-6" x 7'-0"	ABS	H	-	PRE-HUNG	(B)
141A	(2) 1'-6" x 7'-0"	ABS	H	-	PRE-HUNG	(B)
142A	3'-0" x 7'-0"	FG	B	FG	B	(1)
142B	3'-0" x 7'-0"	FG	B	FG	B	(1)
143A	3'-0" x 7'-0"	ALUM.	G	ALUM.	B	(4) (6)
144A	(2) 1'-6" x 7'-0"	ABS	H	-	PRE-HUNG	(B)
145A	3'-0" x 7'-0"	SCW	D	HM	B	(1)

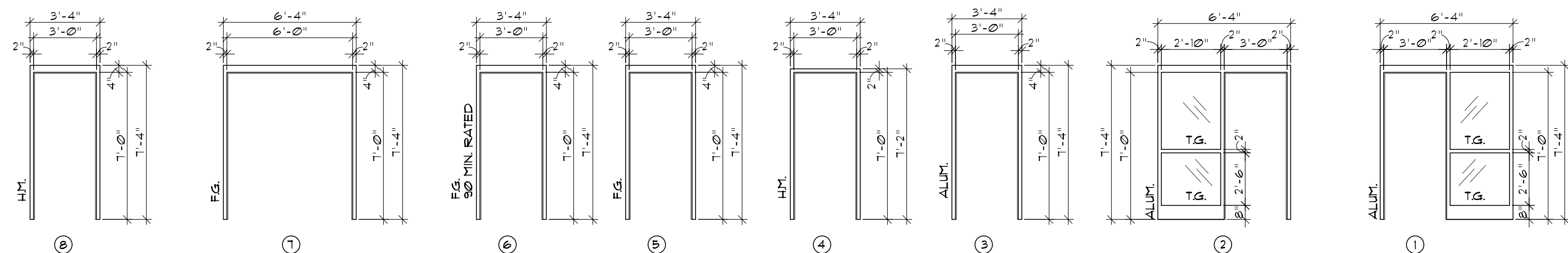
- (1) CLOSER REQUIRED  
 (2) S.S. KICK PLATE REQUIRED  
 (3) HOLD-OPEN REQUIRED  
 (4) PUSH/PULL HARDWARE REQUIRED EACH SIDE OF DOOR  
 (5) 180 DEGREE DOOR SWING  
 (6) DOUBLE ACTING DOOR

GENERAL NOTES:

1. ALL DOORS THAT OPEN TO A WALL SHALL HAVE RUBBER WALL DOOR STOP.  
 2. ALUMINUM DOOR & FRAME SHALL BE KAWNEER OR APPROVED EQUAL. FRAMES SHALL BE THERMALLY BROKEN AND FACTORY FINISHED. SUBMIT FULL RANGE OF COLORS FOR SELECTION.  
 3. FIBERGLASS DOORS & FRAMES ARE BY TIGER DOORS (888-891-4416) OR APPROVED EQUAL.

- ALUM. - ALUMINUM  
 FG - FIBERGLASS  
 SCW - SOLID CORE WOOD  
 HM - HOLLOW METAL  
 ABS - ACRYLONITRILE BUTADIENE STYRENE, (THERMOPLASTIC)

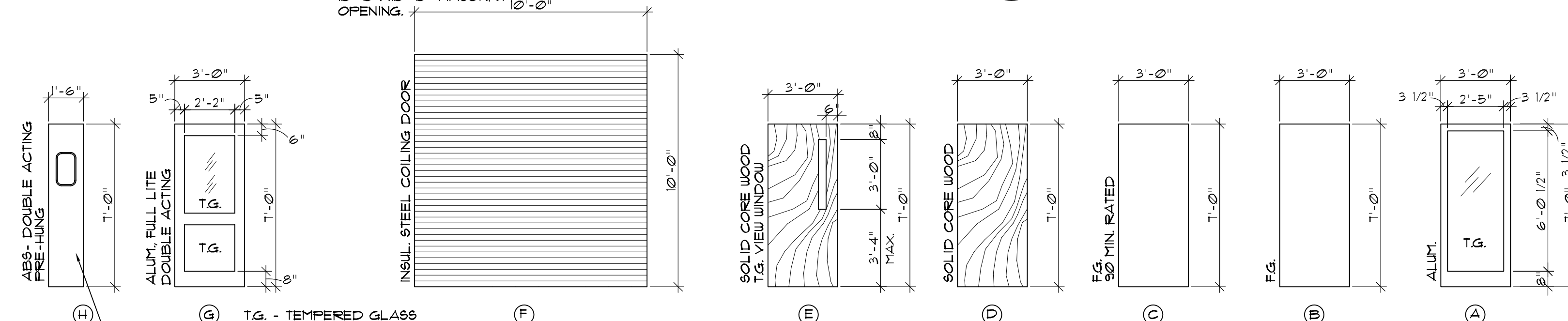
SEE SHEET A2.1 FOR TYP. DETAILS



NOTE: ALL H.M. FRAMES TO BE PAINTED

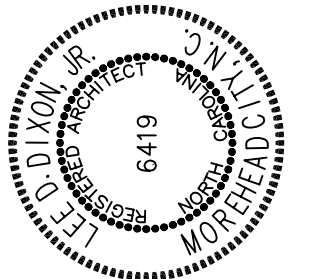
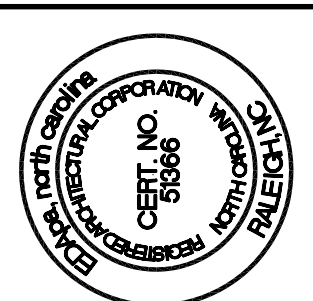
2 FRAME ELEVATIONS  
A-11 SCALE: 1/4" = 1'-0"

NOTE: DOOR MFR VERIFY EXACT SIZE REQ'D FOR 10'-0" X 10'-0" MASONRY 10'-0" OPENING.



1 DOOR ELEVATIONS  
A-11 SCALE: 1/4" = 1'-0"

ALTERNATE



USE OF THIS DRAWING, SPECIFICATIONS, AND OTHER DOCUMENTS PREPARED BY EDA pa SHALL BE LIMITED TO THE PROJECT AND SITE SPECIFICALLY IDENTIFIED HEREIN. NO PART OF THESE DOCUMENTS SHALL BE REPRODUCED OR TRANSMITTED IN ANY FORM OR BY ANY MEANS, ELECTRONIC OR MECHANICAL, WITHOUT WRITTEN CONSENT BY THE DESIGNER.

4706 Bridges Street Extension, Suite C  
 Morehead City, North Carolina 28557  
 Telephone: 252.247.6674 Fax: 252.247.6674  
 Email: eda@edapa.com

EDA pa  
 Architects Engineers Planners

ROCKINGHAM COUNTY  
 ANIMAL FACILITY  
 WENTWORTH, NORTH CAROLINA

SCHEDULES (ALTERNATE)

2008409

ISSUED: 08 DEC. 09

DWG BY: LSA

CKD BY: LDD

REVISIONS

SHEET NO.

A-11

OF