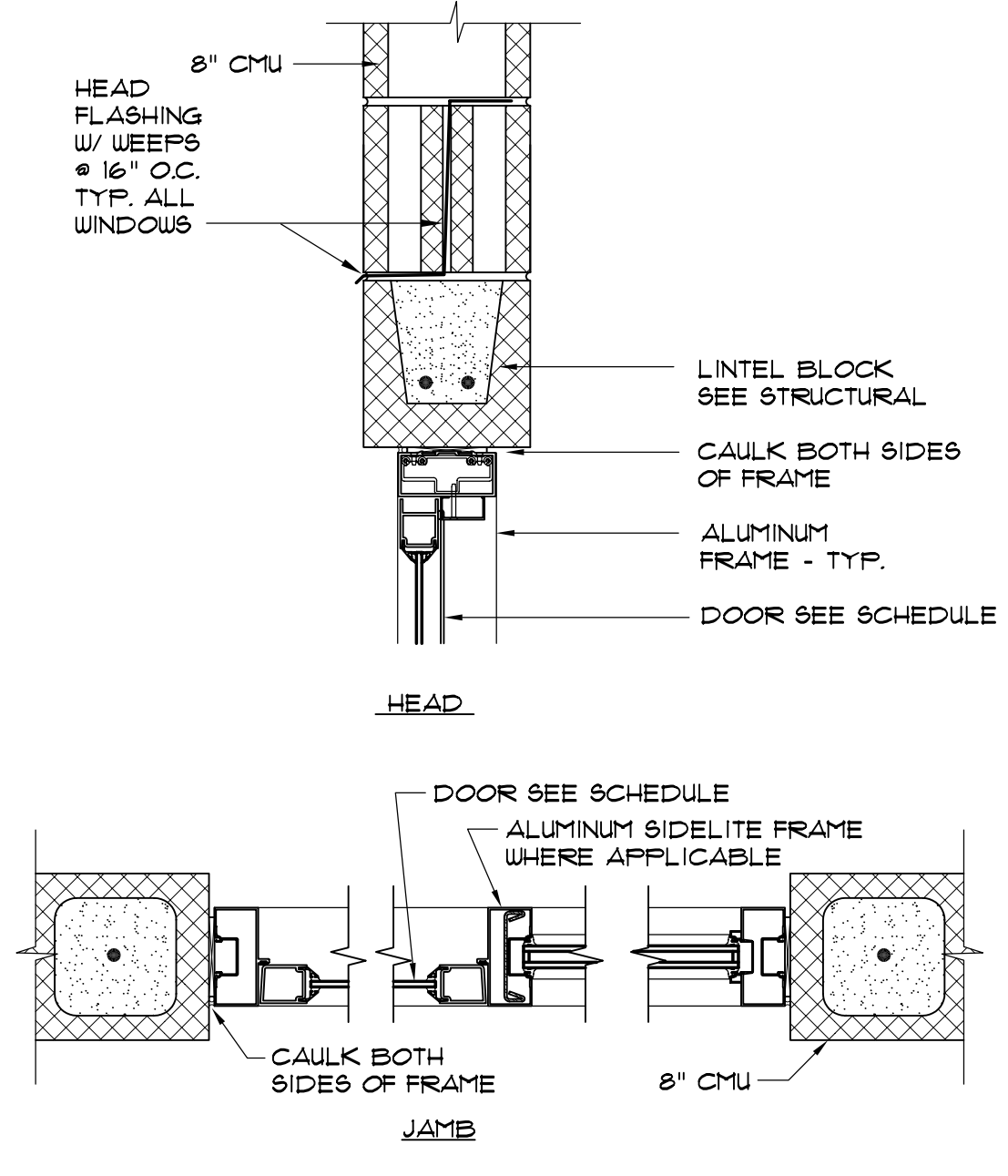
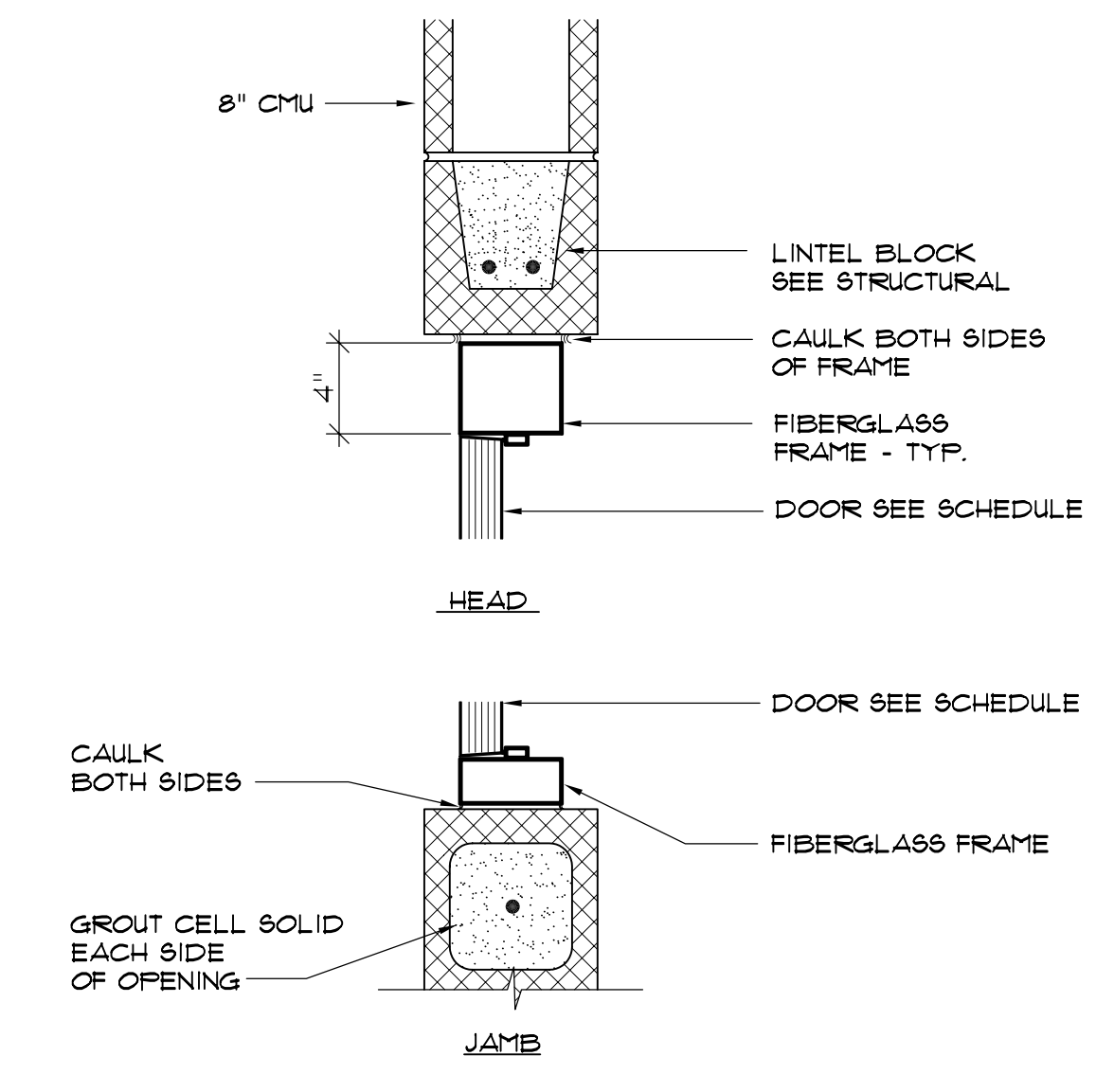


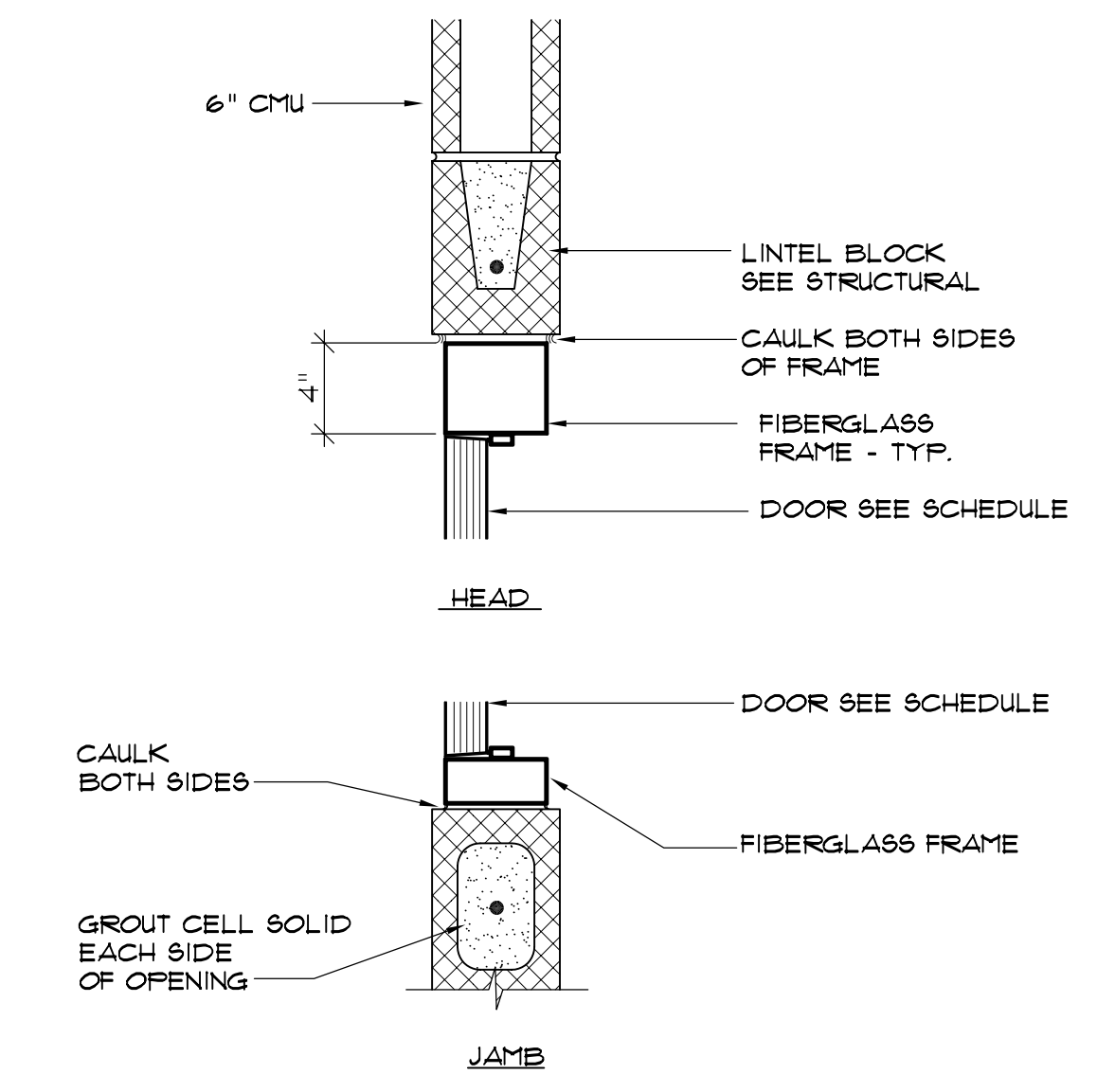
**8** EXTERIOR ALUMINUM WINDOW  
SCALE: 1 1/2" = 1'-0"



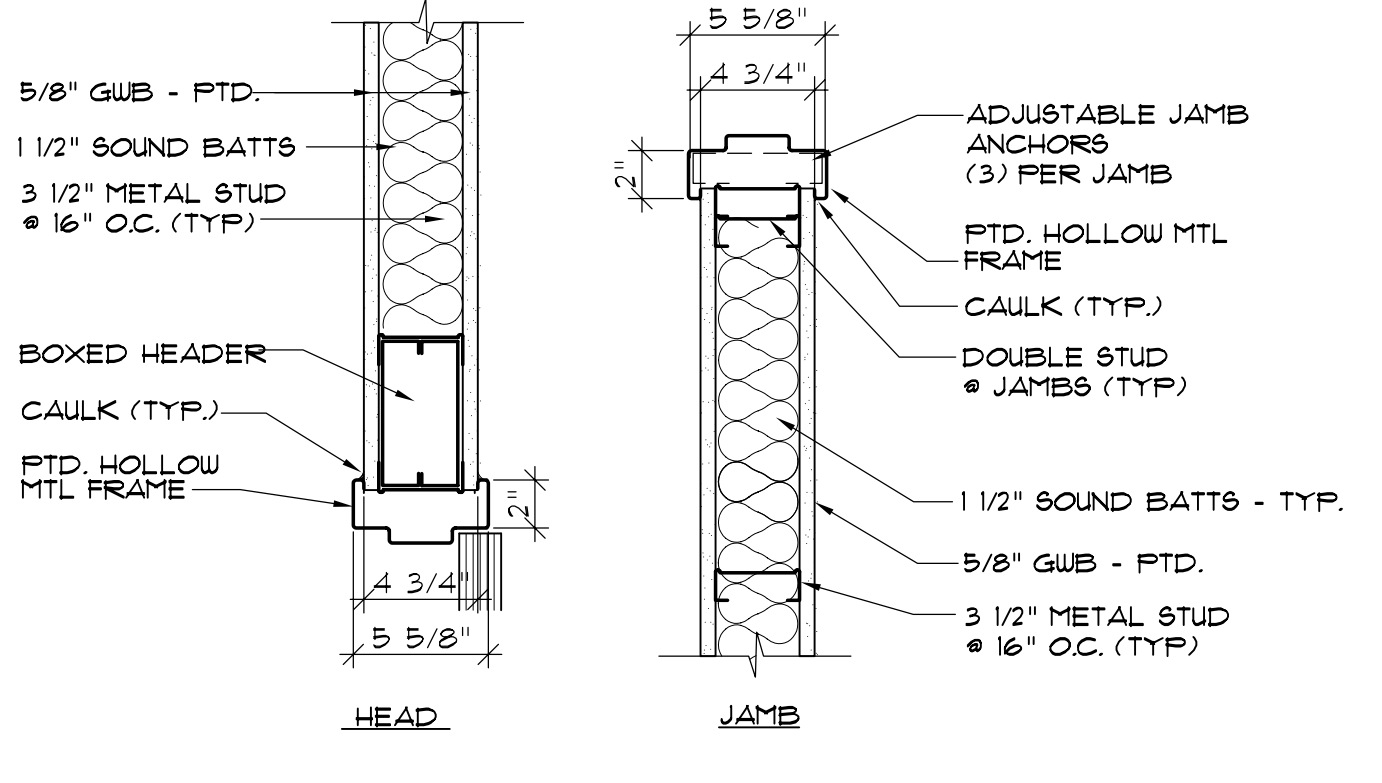
**7** ALUMINUM DOOR FRAME @ MASONRY EXTERIOR  
SCALE: 1 1/2" = 1'-0"



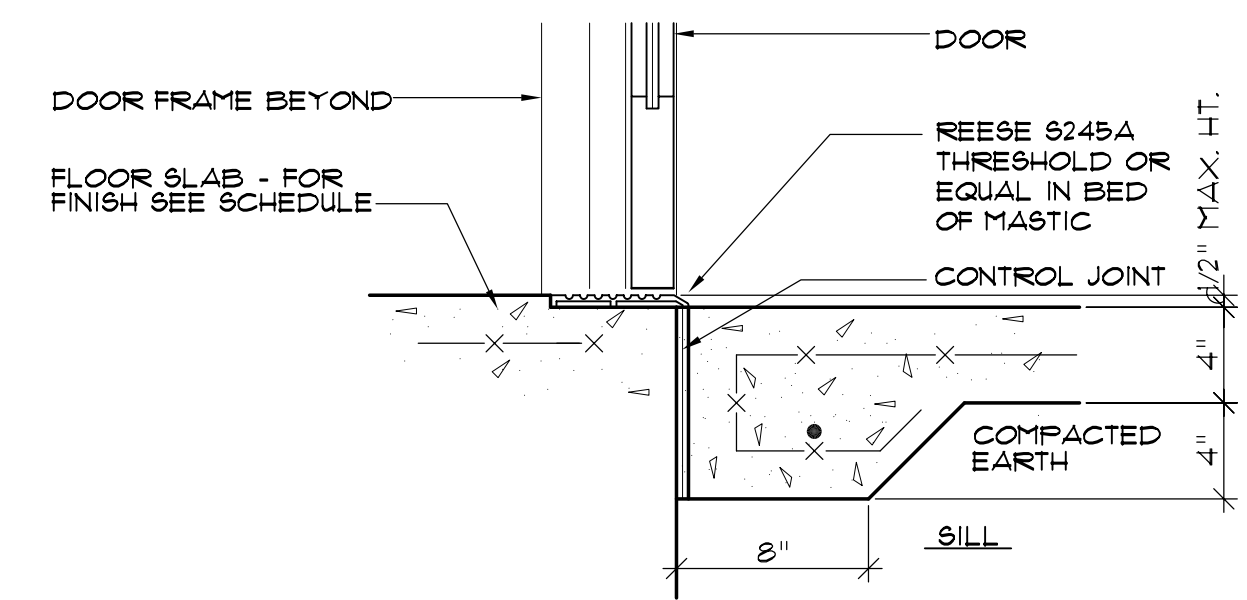
**6** FIBERGLASS DOOR FRAME @ MASONRY EXTERIOR  
SCALE: 1 1/2" = 1'-0"



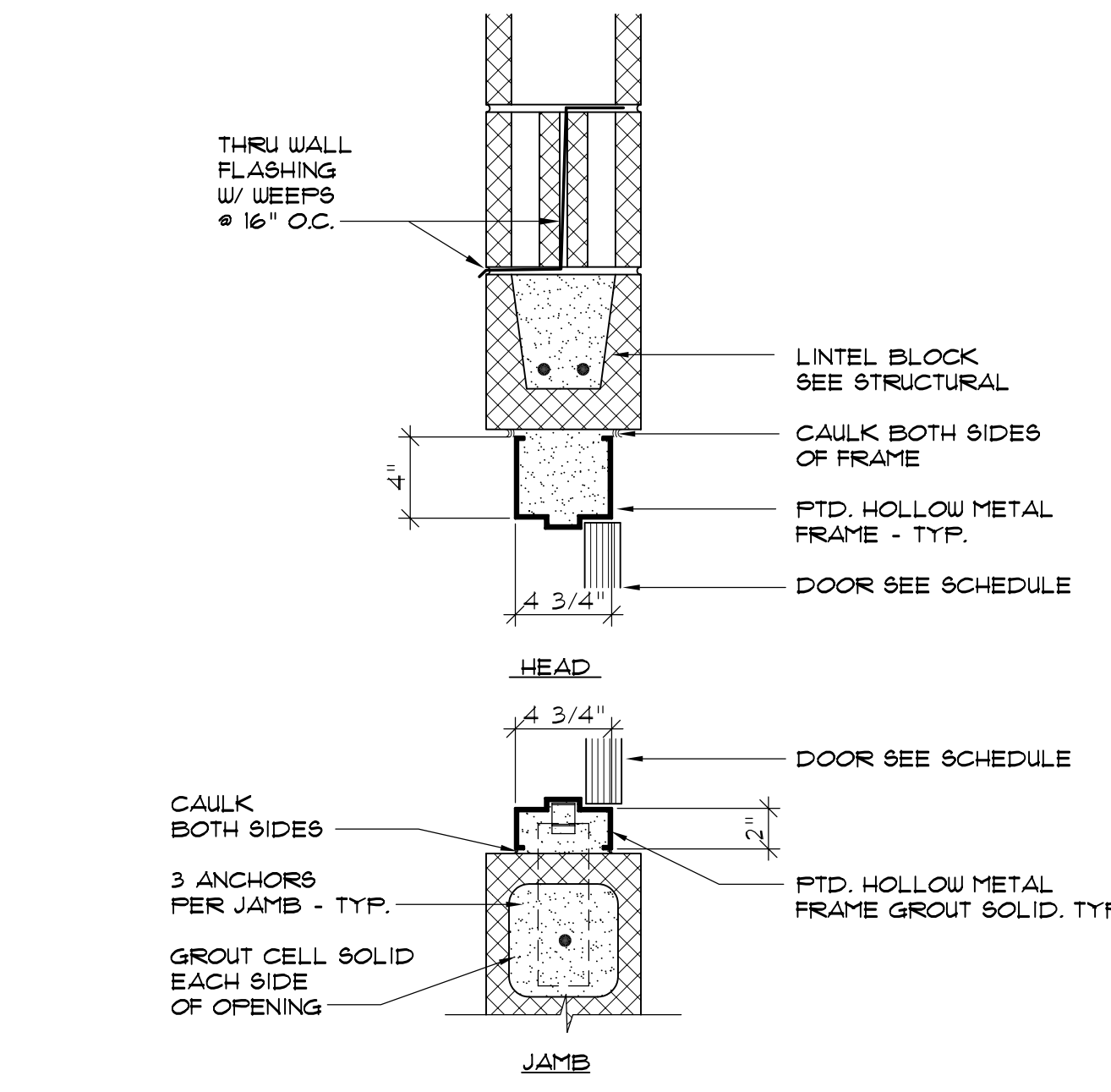
**5** FIBERGLASS DOOR FRAME @ MASONRY INTERIOR  
SCALE: 1 1/2" = 1'-0"



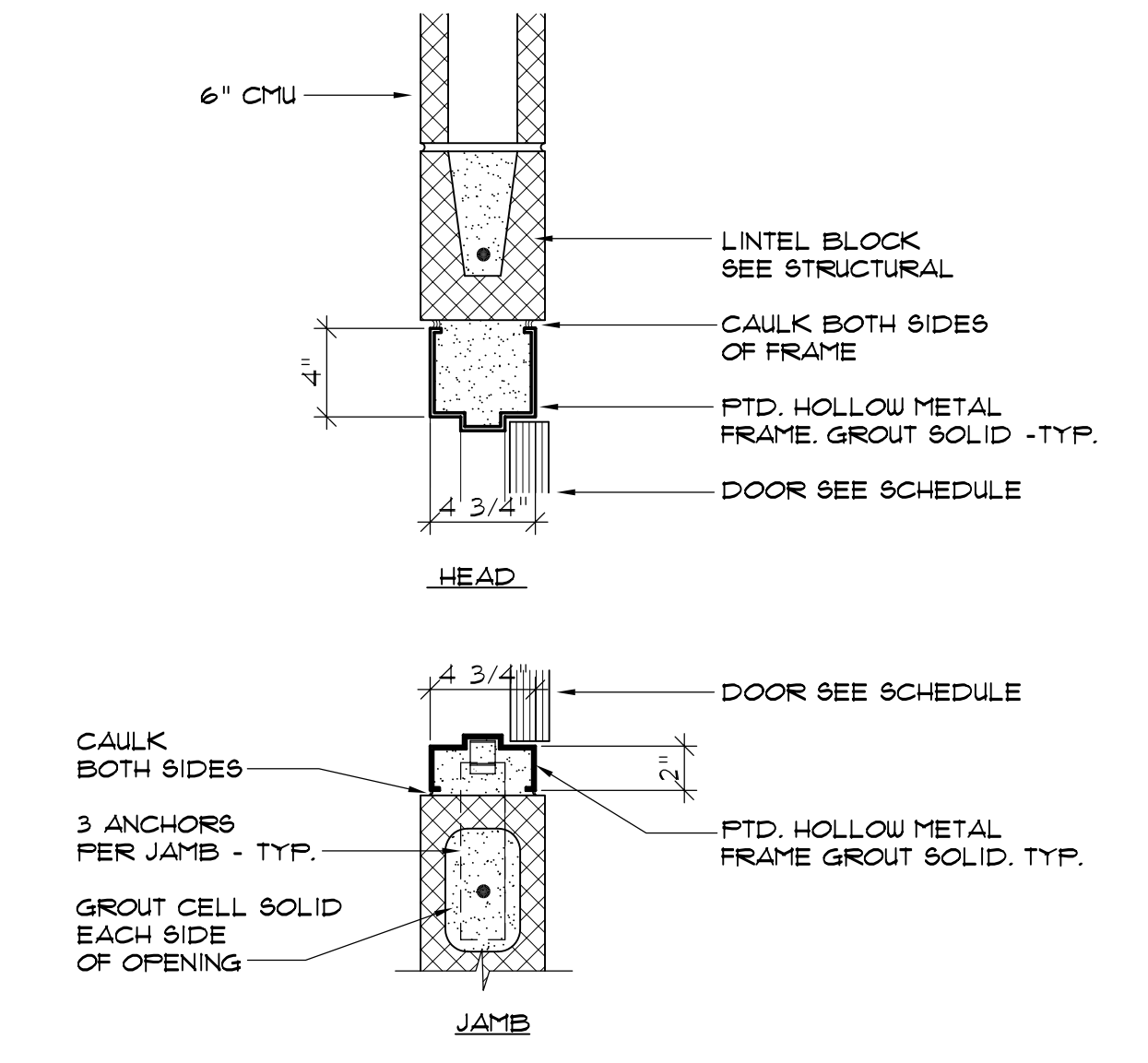
**4** DOOR FRAME @ METAL STUD WALL  
SCALE: 1 1/2" = 1'-0"



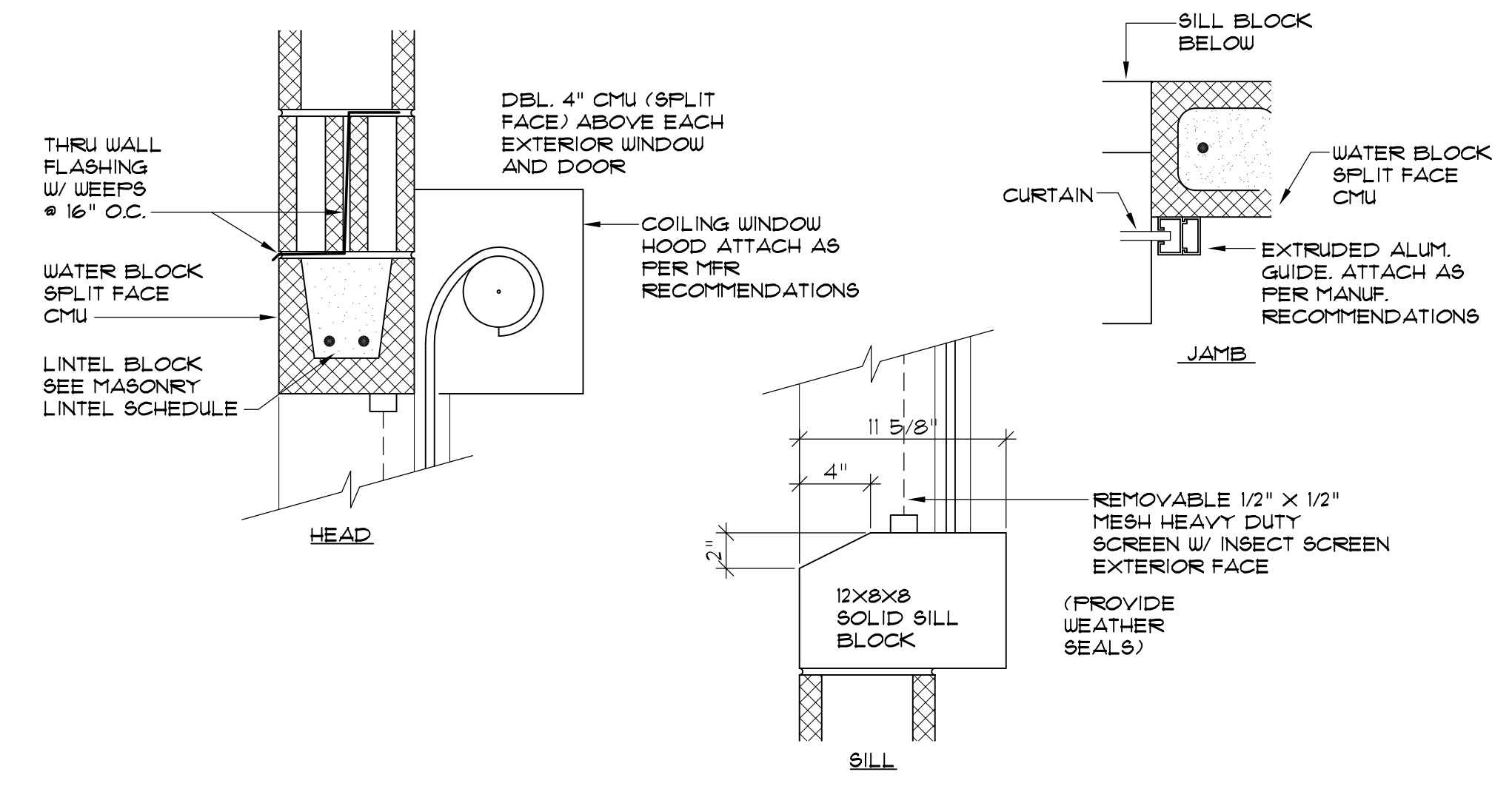
**3** TYPICAL H.C. THRESHOLD  
SCALE: 1 1/2" = 1'-0"



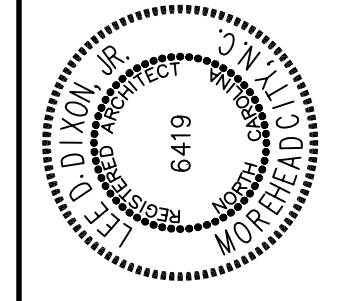
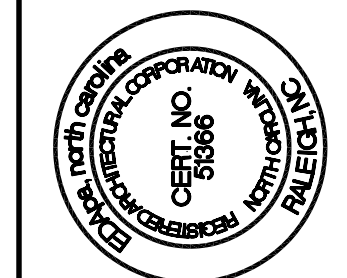
**2** H.M. DOOR FRAME @ MASONRY EXTERIOR  
SCALE: 1 1/2" = 1'-0"



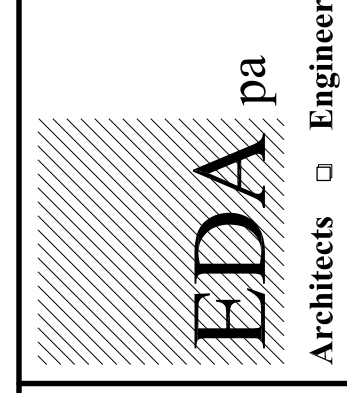
**1** H.M. DOOR FRAME @ MASONRY INTERIOR  
SCALE: 1 1/2" = 1'-0"



**9** COILING DOOR DETAIL  
SCALE: 1 1/2" = 1'-0"



USE OF THIS DRAWING, SPECIFICATIONS, AND OTHER DOCUMENTS PREPARED BY EDA pa shall be limited to the project, and shall not be used for any other project without the written consent of the designer.  
4206 Bridges Street Extension, Suite C  
Morehead City, North Carolina 28557  
Telephone: 252.247.2127 Fax: 252.247.6674  
Email: edna@ednapa.com



ROCKINGHAM COUNTY  
ANIMAL FACILITY  
WENTWORTH, NORTH CAROLINA

WINDOW/DOOR DETAILS

2008409

ISSUED: 08 DEC. 09  
DWG BY: LSA  
CKD BY: LDD

NO.	REVISIONS

SHEET NO.  
**A-21**  
OF